

Protect Your Data; Safeguard Your Privacy[®]



X-Wall DX

USB to USB crypto processor with AES 256-bit hardware encryption



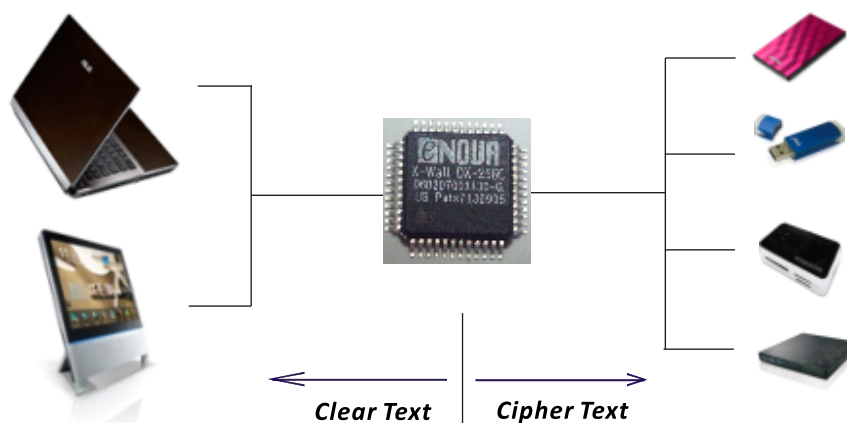
The patents protected[1] X-Wall DX is a USB to USB real-time cryptographic module capable of encrypting entire USB portable drive including Blu-Ray DVD, DVD R/W, CD-R, thumb drive, disk, SSD, SD, CF, MMC, T-Flash & MS at USB2.0 wire speed with NIST/CSE certified hardware AES ECB/CBC 256-bit strength. The X-Wall DX safeguards content privacy via automatic and transparent encryption. The encryption content is invisible without presenting the right AES key. The X-Wall DX equips with complete USB2.0 protocol stacks that can be embedded onto a motherboard, a device, or acts as an independent ciphering dongle.

How does it work ?

The X-Wall DX sits between the USB host and the USB device, encrypting before the data is written to the storage and decrypting while the data is read. The cryptographic operation is totally transparent to users thus produces no performance loss while all data-at-rest are hardware AES 256-bit encrypted. The Enova Secure Authentication (ESA) software responsible for authentication, is easy to use and requires no additional IT training.

Attach to the USB port of either NB or Desktop PC

Secure data in any of these following USB-based storage devices with AES 256-bit encryption



The X-Wall DX can be embedded onto a motherboard, a peripheral device or acts as an independent dongle

[1] US patents: 7,136,995

X-Wall DX features and benefits

Hardware Features	Key Benefits
<ul style="list-style-type: none"> ✓ NIST certified AES 256-bit hardware encryption ✓ Support full disk encryption for all USB-based storage devices including thumb drive, disk, card reader and DVD/CD-R/Blu-Ray as long as they are USB based ✓ Perform file/folder level encryption to all internal, external and cloud server drives ✓ Support cipher/public disk partition with user and administrator password ✓ Can be embedded onto a motherboard, a peripheral device or acts as an independent dongle ✓ No measurable performance drop in read/write ✓ USB2.0/3.0 compliant ✓ 48-pins LQFP package (7mm x 7mm) 	<ul style="list-style-type: none"> ✓ Simple to use ✓ Use with any NB, PC or Tablet with USB port ✓ Encrypts any USB based storage device <ul style="list-style-type: none"> – Thumb drive – Hard drive – Hybrid drive (PATA, SATA) – Blu-Ray and DVD – Card reader – Camera – Smart phone ✓ Powerful AES 256-bit hardware encryption ✓ No software or drivers to install ✓ Compatible with all major Operating Systems <ul style="list-style-type: none"> – Microsoft, Apple, Android, Linux

Ordering Codes

Ordering Code (SKU)	AES Mode of Operation	Encryption Strength
X-Wall DX-256	ECB	256-bit
X-Wall DX-256C	CBC	256-bit
X-Wall DX-128	ECB	128-bit
X-Wall DX-128C	CBC	128-bit

System Requirements

- ☑ USB2.0/USB3.0 compliant
- ☑ Windows 7/Vista/XP, Mac OS and Linux, 32 or 64 bits
- ☑ All operating systems with USB1.1/2.0/3.0 support



Enova Technology Corporation

1st Floor, #11, Research & Development 2nd Road, Science
-based Industrial Park, Hsin-Chu City Taiwan 300, Republic of China

TEL: +886 (3) 577-2767 FAX: +886 (3) 577-2770 www.enovatech.com

Authorized Distributor :

Enova Technology specializes in the design of advanced real-time cryptographic storage solutions. Enova's innovative encryption technology satisfies the needs of Corporations, Government Agencies, Consumers and security-conscious users worldwide who demand absolute privacy and confidentiality of stored data and network credentials.